

DDHPS300

Basic Information

Motor Type

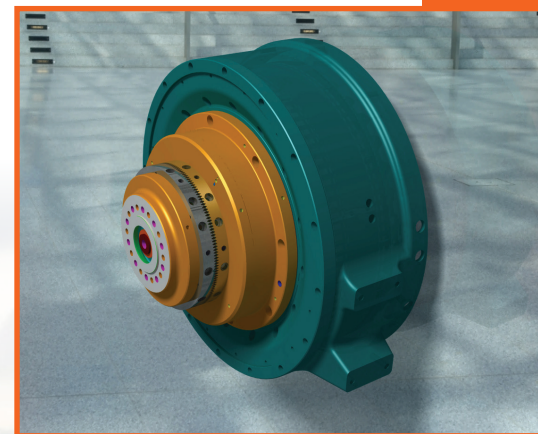
AC synchronous electric motor with permanent magnets
radial, internal rotor

EM circuit topology

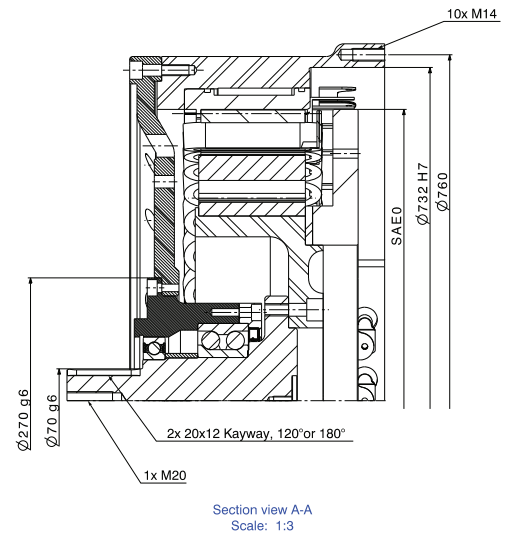
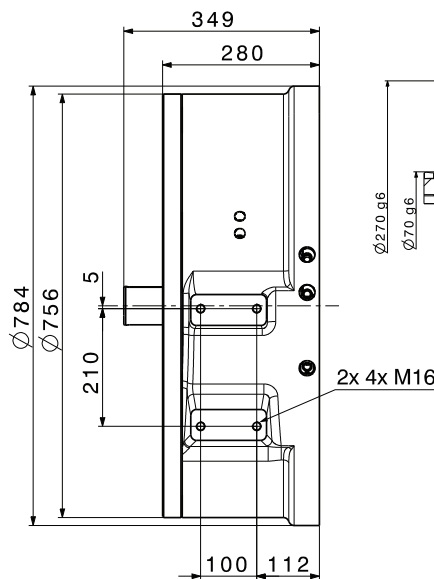
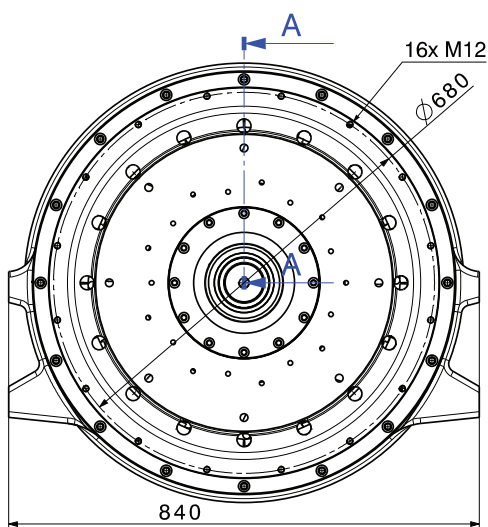
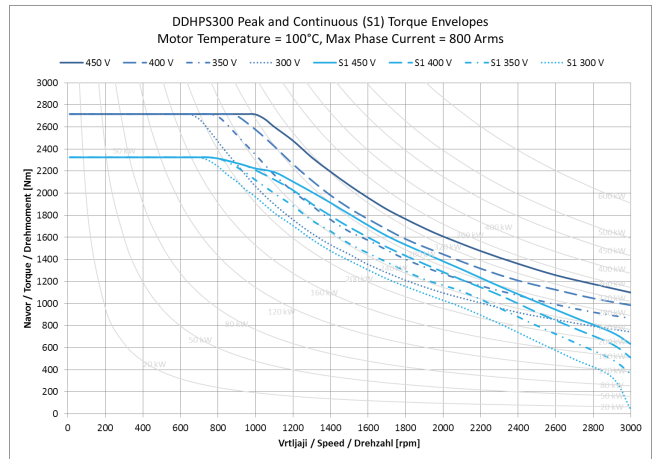
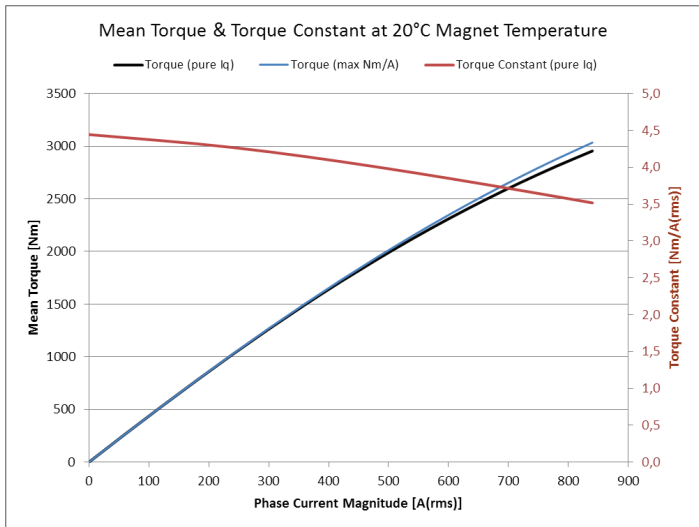
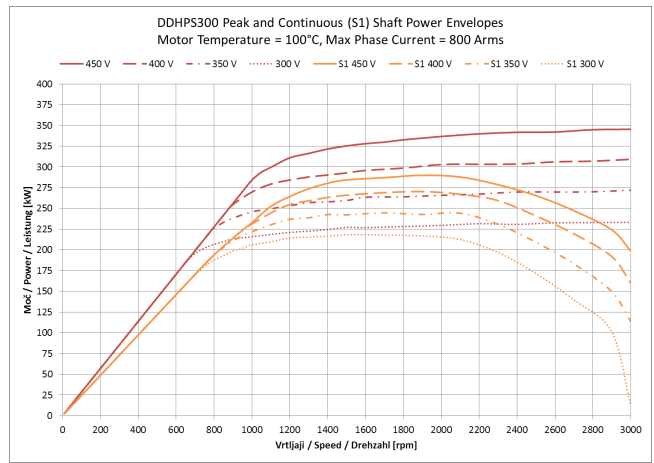
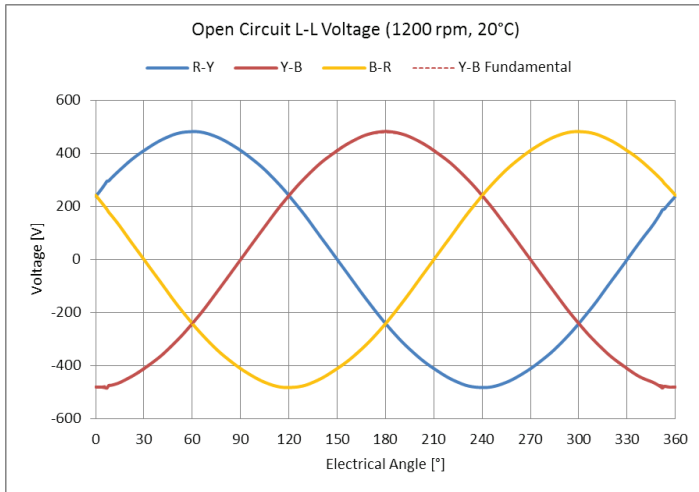
Parameter	Value	Units	Tolerance	Note
Winding Configuration	16Y1	NA		
Rated Speed	1200	RPM	NA	
Winding Voltage	482	V	±3%	Peak line to line
Voltage Constant	0,402	V/RPM	±3%	Peak line to line
	3,84	Vs/rad	±3%	
Maximum Speed	3600	RPM	NA	
Continuous Torque	2200	Nm	±3%	
Peak Torque	3000	Nm	±3%	
Peak Current	820	A	±3%	A (RMS)
Cogging Torque (max)	3	Nm p-p		Peak to peak span
Torque Constant	4,4	Nm/A	±3%	A (RMS)
Terminal Resistance	6,24	mOhm	±2%	
Direct Axis Inductance Ld	0,11	mH	±7%	Tabulated data available on request
Quadrature Axis Inductance Lq	0,14	mH	±7%	Tabulated data available on request
Ambient Operating Temperature	-40 .. +50	°C	NA	
Ambient Storage Temperature	-40 .. +90	°C	NA	
Number of Rotor Poles	30	NA		
Additional Data				
Maximum Winding Temperature	180	°C	NA	
Maximum Rotor Temperature	160	°C	NA	
Temperature Sensor for Winding	PT1000		NA	

All parameters stipulated for the machine thermalized at 20°C unless noted otherwise.

All values for current are stipulated as RMS unless noted otherwise.



DDHPS300



All dimensions in mm

Boeli Magnetic Technology, Ltd
Mariborska ulica 57
SI-2314 Zg. Polskava,
Slovenia - EU

t: +386 (0)2 80 333 82
f: +386 (0)2 80 333 80
e: info@boeli.com
www.boeli.com

boeli
magnetic technology

Special designs are possible